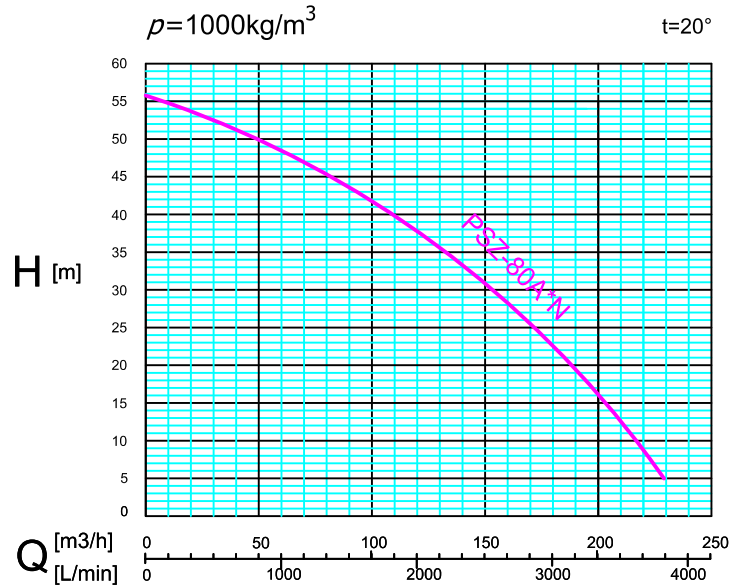
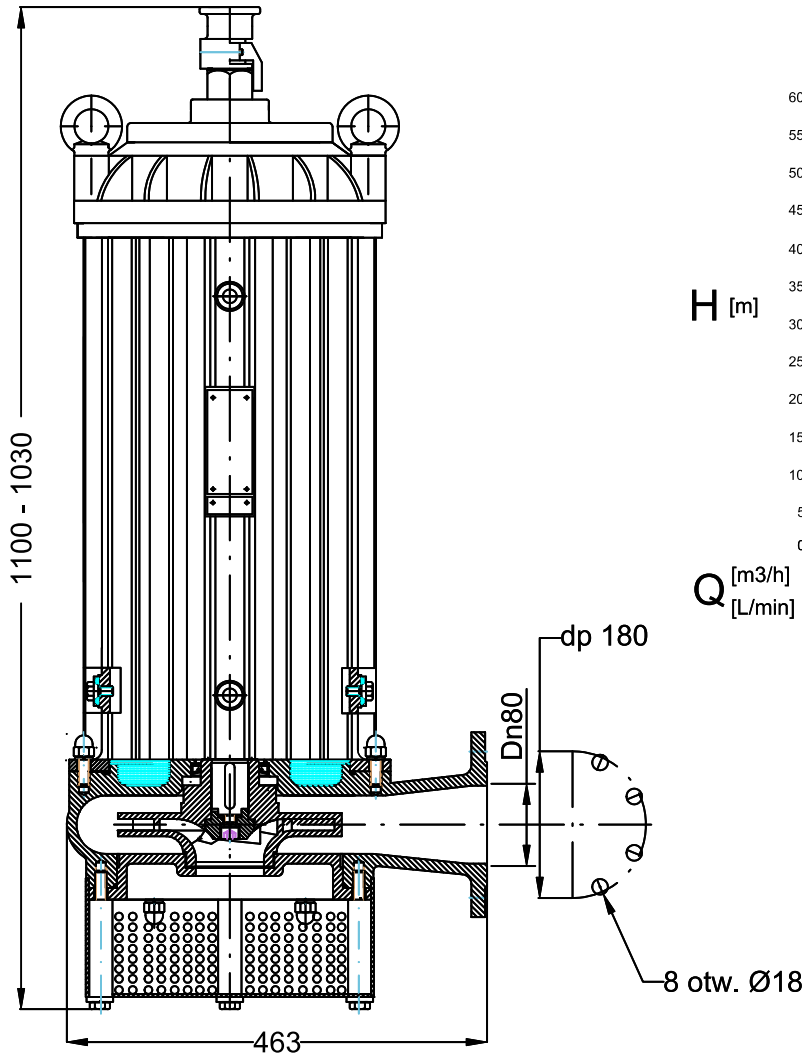


PUMP CHARACTERISTICS



* voltage version:


- 1 - voltage 400V
- 2 - voltage 500V
- 3 - voltage 1000V
- 4 - voltage 500/1000V switchable engine

* impeller construction:

-  closed impeller low-pressure (N)

Pump is certified ATEX, number: OBAC 14 ATEX 0113X

PARAMETERS OF THE PUMP

		PSZ-80A*N		
Efficiency	[m³/h]	0-230		
Lift height	[m]	56-5		
Power	[kW]	14-21		
Voltage	[V]	400	500	1000
Nominal power consumption	[A]	37	30	15
Rotational speed	[rotation/min]	2920		
Weight	[kg]	200 - 220		
Maximal submergence level	[m]	30		
Protection degree		IP 68		
Explosion proof marking		 IM2c Exd I Mb		
Max impurity	[mm]	25		